



Heat pump



TWW 68 EVI

WAMAK TWW 68 EVI

Product description

Heat pump with two power stages for heating and domestic hot water with the possibility of passive cooling control. One short closed refrigerant circuit with a pair of quiet Scroll compressors and robust stainless steel plate heat exchangers. Through the connection kit, the circulation pumps can be easily and quickly connected while externally controlling their variable speed.

Use for multi-family dwellings, suburban mixed-use buildings or commercial operations. The Urban range is based on a robust construction quality steel for all parts. High quality, long proven heat pump circuit components extend the life of the heat pump.

As a primary source, thermal energy from underground water at a depth of between 12 and 30 metres is used. A submersible pump delivers the groundwater to the heat pump and, depending on the quality and chemical composition, the heat from the groundwater is extracted either directly in the heat pump or through a separating heat exchanger with an intermediate circuit and antifreeze. The heat pump then raises this temperature to a usable temperature for heating or hot water.

The EVI (Enhanced Vapour Injection) technology allows the heat pump to achieve higher header flow temperatures even at lower source temperatures. EVI also has a positive impact on the compressor lifespan and overall system stability because the discharge gas temperature from the compressor is lower.

The twin compressors give the system robustness and the ability to distribute the heat output according to the actual load.

Product features

- Scroll compressor
- EVI technology
- Asymmetric plate heat exchanger
- Multi-stage capacity control
- Phase and rotation control
- High pressure sensor - analogue
- Flow switch consumer - on/off - (with accessory)
- Flow switch source - on/off - (with accessory)
- Direct heating/cooling circuit control
- DHW circulation control
- DHW temperature sensor
- Cascade control - (with accessory)
- Solid frame structure
- Sylomer pads under compressor unit
- Electronic expansion valve
- Two-stage capacity control
- Compressor soft starter
- High pressure switch
- Low pressure sensor - analogue
- Flow sensor consumer - analogue - (with accessory)
- Mixed heating/cooling circuit control
- DHW switching control
- Outdoor temperature sensor
- Buffer temperature sensor
- Modbus connection - (with accessory)

Basic performance data - WAMAK TWW 68 EVI

Heating - EN 14511		
Heating capacity [kW]	W10 / W35 (max)	71.9 (36.0 / 71.9)
	W10 / W35 (min)	36.0 (36.0 / 71.9)
	W10 / W34	71.9 (36.0 / 71.9)
Electrical power input [kW]	W10 / W35 (max)	11.6 (5.7 / 11.6)
	W10 / W35 (min)	5.7 (5.7 / 11.6)
	W10 / W34	11.2 (8.7 / 17.7)
Heating efficiency faktor [COP]	W10 / W35 (max)	6.22
	W10 / W35 (min)	6.31
	W10 / W34	6.40
Seasonal space heating energy efficiency - SCOP EN 14825		
Average Climate / Low Temperature [35 °C]	SCOP	7.35
	η [%]	293.8
	Label	A+++
	Qhe [kWh]	148545.4
	Pdesignh [kW]	71.9
	Tbivalent [°C]	-10
Cooling		
Cooling capacity - [kW]	A35 / W23-18	56.8
	A25 / W23-18	60.0
	A35 / W12-7	41.9
	A25 / W12-7	41.9
Seasonal space cooling energy efficiency - SEER EN 14825		
[W 23 / 18 °C]	SEER	5.44
	Qce [kWh]	25140.0
	η_c [%]	217.4
Sound EN 12102		
Acoustic power - Lw	dB(A)	59
Acoustic pressure - Lp	1 m dB(A)	51
	5 m dB(A)	37
	10 m dB(A)	31
Mechanical and operational information		
Compressor type (3~ 400/50)	SCROLL / 2 /	On/Off
Refrigerant	R410A (GWP - 2088)	10.2 kg
Operating limit temperatures heating - (min / max) [°C]		25 / 65
Operating limit temperatures source - (min / max) [°C]		-10 (7) / 30
Weight		435 kg

Main technical data - WAMAK TWW 68 EVI

Enclosure type		VN1100		Heat energy rejection side data			
Basic dimensions	Height [mm]	1270		Operating limit temperatures heating	MAX [°C]	65	
	Width [mm]	1100			MIN [°C]	25	
	Length [mm]	750		for more see operating limits diagram			
Weight [kg]	435		Condenser	Port size	VIC 2.1/2 "		
Colour	Gray			Type	BPHE		
Enclosure IP Class	IP20			Count	1		
Refrigeration cycle				Material	AISI 316		
Compressor	Type	Scroll		Maximal operating pressure - refrigerant [bar]			50
	Number of stages	2		Maximal operating pressure - Water [bar]			3
	On/Off			Testing pressure [bar]			70
	Power factor Cosφ	0.69		Heat transfer medium			Water
	Winding resistance	1.24 Ohm		Volume flow - Water [m3/h]			6.22 ~ 12.44
Refrigerant		R410A		Internal pressure drop - Water [kPa]			20
	Volme	10.2 kg		Temperature difference	@ 35°C (nom)	5 K	
	GWP	2088			@ 55°C	8 K	
	Safety class	A1			@ 65°C	10 K	
Refrigeration oil type	POE RL32-3MAF		Renewable energy extraction side data				
	Oil volume	2 x 3.38 L		Operating limit temperatures source	MIN [°C]	-10 (7)	
Maximal pressure - refrigerant [bar]	50		for more see operating limits diagram			MAX [°C]	30
	PED class	2		Evaporator	Port size	VIC 2.1/2 "	
EVI - vapour injection with economizer			Type		BPHE		
Electrical connection data			Count		1		
Line voltage [#~ V/Hz]	3~ 400/50		Material	AISI 316			
Current	nominal [A]	24.46		Maximal operating pressure - refrigerant [bar]			29
	maximal [A]	42.00		Heat transfer medium			Water
	starting [A]	36.42		Maximal operating pressure - Water [bar]			3
Softstart	2 x MCI 25		Volume flow - Water [m3/h]			6.53 ~ 13.05	
Main safety	C80		Internal pressure drop - Water [kPa]			20	
Control System			Temperature difference - Water				4 K
Main controller	SIEMENS	RVS 61					
Extension module	AVS75.3xx	AVS75.3xx	AVS75.372				
Bus Clip-In			Modbus OCI352				
Online connection	Web server OZW672		ToSyMo				
Superheat controller			SEC61				

*** with accessory

WAMAK TWW 68 EVI

ErP (EU) No 811/2013: Technical parameters for heat pump space heaters

Model	TWW 68 EVI
Air-to-water heat pump	no
Brine-to-water heat pump	no
Water-to-water heat pump	yes
Low-temperature heat pump	no
Equipped with a supplementary heater	no
Heat pump combination heater	no
Temperature application	low (35°C - 30°C)
Climate conditions	average

Item	Symbol	Value	Unit	Item	Symbol	Value	Unit
Rated heat output at Tdesignh	Prated	71.9	kW	Seasonal space heating energy efficiency	η_s	293.8	%
Declared capacity for heating for part load at indoor temperature 20 °C and outdoor temperature Tj				Declared coefficient of performance or primary energy ratio for part load at indoor temperature 20 °C and outdoor temperature Tj			
Tj = -7 °C	Pdh	71.9	kW	Tj = -7 °C	COPd	6.40	-
Tj = +2 °C	Pdh	71.9	kW	Tj = +2 °C	COPd	7.2	-
Tj = +7 °C	Pdh	35.9	kW	Tj = +7 °C	COPd	8.0	-
Tj = +12 °C	Pdh	35.8	kW	Tj = +12 °C	COPd	8.8	-
Tj = bivalent temperature	Pdh	71.9	kW	Tj = bivalent temperature	COPd	6.2	-
Tj = operation limit temperature	Pdh	---	kW	Tj = operation limit temperature	COPd	---	-
Bivalent temperature	Tbiv	-10	°C	Tj = operation limit temperature	TOL	---	°C
Power consumption in modes other than active mode				Heating water operating limit temperature	WTOL	65	°C
Off mode	Poff	0.010	kW	Supplementary heater			
Thermostat-off mode	Pto	0.010	kW	Rated heat output	Psup	10.9	kW
Standby mode	Psb	0.010	kW	Type of energy input			electricity
Crankcase heater mode	Pck	0.000	kW				
Other items				For air-to-water heat pumps: Rated air flow rate, outdoors	-	---	m ³ /h
Capacity control		multi-stage		For water- or brine-to-water heat pumps: Rated brine or water flow rate, outdoor heat exchanger	-	6.53 ~ 13.05	m ³ /h
Sound power level							
indoors	Lwa	59	dB				
outdoors	Lwa	---	dB				
Annual energy consumption	Q _{HE}	148545.4	kWh				

Contact details: WAMAK, s.r.o., Orovnica 252, 96652, Orovnica, Slovensko, info@wamak.sk

WAMAK TWW 68 EVI

ErP (EU) No 811/2013: Technical parameters for heat pump space heaters

Model	TWW 68 EVI
Air-to-water heat pump	no
Brine-to-water heat pump	no
Water-to-water heat pump	yes
Low-temperature heat pump	no
Equipped with a supplementary heater	no
Heat pump combination heater	no
Temperature application	middle (55°C - 47°C)
Climate conditions	average

Item	Symbol	Value	Unit	Item	Symbol	Value	Unit
Rated heat output at Tdesignh	Prated	71.6	kW	Seasonal space heating energy efficiency	η_s	214.7	%
Declared capacity for heating for part load at indoor temperature 20 °C and outdoor temperature Tj				Declared coefficient of performance or primary energy ratio for part load at indoor temperature 20 °C and outdoor temperature Tj			
Tj = -7 °C	Pdh	72.4	kW	Tj = -7 °C	COPd	4.09	-
Tj = +2 °C	Pdh	72.7	kW	Tj = +2 °C	COPd	5.5	-
Tj = +7 °C	Pdh	36.4	kW	Tj = +7 °C	COPd	6.5	-
Tj = +12 °C	Pdh	36.3	kW	Tj = +12 °C	COPd	7.4	-
Tj = bivalent temperature	Pdh	71.6	kW	Tj = bivalent temperature	COPd	3.6	-
Tj = operation limit temperature	Pdh	---	kW	Tj = operation limit temperature	COPd	---	-
Bivalent temperature	Tbiv	-10	°C	Tj = operation limit temperature	TOL	---	°C
Power consumption in modes other than active mode				Heating water operating limit temperature	WTOL	65	°C
Off mode	Poff	0.010	kW	Supplementary heater			
Thermostat-off mode	Pto	0.010	kW	Rated heat output	Psup	10.9	kW
Standby mode	Psb	0.010	kW	Type of energy input	electricity		
Crankcase heater mode	Pck	0.000	kW				
Other items							
Capacity control	multi-stage			For air-to-water heat pumps: Rated air flow rate, outdoors	-	---	m ³ /h
Sound power level				For water- or brine-to-water heat pumps: Rated brine or water flow rate, outdoor heat exchanger	-	6.53 ~ 13.05	m ³ /h
indoors	Lwa	59	dB				
outdoors	Lwa	---	dB				
Annual energy consumption	Q _{HE}	147925.6	kWh				

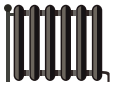
Contact details: WAMAK, s.r.o., Orovnica 252, 96652, Orovnica, Slovensko, info@wamak.sk



ENERG Y IJA
 енергия - ενεργεια IE IA

WAMAK

TWW 68 EVI



55 °C

35 °C



A+++

A+++



59 dB



--- dB

■ 76
 ■ 72
 ■ 71
 kW

■ 74
 ■ 72
 ■ 69
 kW



2019

811/2013

TWW 68 EVI

ErP Data

	55 °C	35 °C
Energy class	A+++	A+++
η [%]	214.7	293.8
P_{rated} [kW]	72	72
Q_{HE} [kWh/y]	147926	148546
SCOP [-]	5.37	7.35
$T_{bivalent}$ [°C]	-10	-10

CONTROLLER



+ QAA55/75
 - QAA55/75

class VII
 class III

3.5% ↓
 1.5% ↓

Heating performance data

Version: v202223.006-BW-WW

Source - Brine [0°C] / Low Temperature [35°C]

ZHI27K1P-TFD_R410A_2_BWW

Operating conditions	Qh	P	COP
1 B0 / W30-35	56.9	12.2	4.68
2 B0 / W30-35 (MIN)	28.5	6.0	4.75
A B0 / Wxx-34	56.9	11.9	4.80
B B0 / Wxx-30	56.8	10.8	5.28
C B0 / Wxx-27	28.4	4.9	5.75
D B0 / Wxx-24	28.3	4.6	6.20
E B0 / Wxx-35	56.9	12.2	4.68
F B0 / Wxx-35	56.9	12.2	4.68

SCOP DATA EN 14825:2018	
Source - Brine [0°C] / Low Temperature [35°C]	
SCOPon	5.39
SCOPnet	5.39
SCOP	5.38
η [%]	215.12
Label	A+++
Qh [kWh]	117555
Pdesignh [kW]	56.9
Tbivalent [°C]	-10

Source - Brine [0°C] / Medium Temperature [55°C]

Operating conditions	Qh	P	COP
1 B0 / W47-55	57.5	19.9	2.88
2 B0 / W47-55 (MIN)	28.8	9.7	2.92
A B0 / Wxx-52	57.9	18.0	3.34
B B0 / Wxx-42	58.4	13.7	4.32
C B0 / Wxx-36	28.8	5.9	4.87
D B0 / Wxx-30	28.8	5.3	5.43
E B0 / Wxx-55	57.5	19.9	2.88
F B0 / Wxx-54	58.0	18.5	3.14

SCOP DATA EN 14825:2018	
Source - Brine [0°C] / Medium Temperature [55°C]	
SCOPon	4.19
SCOPnet	4.19
SCOP	4.18
η [%]	167.36
Label	A+++
Qh [kWh]	118795
Pdesignh [kW]	57.5
Tbivalent [°C]	-10

Source - Water [10°C] / Low Temperature [35°C]

Operating conditions	Qh	P	COP
1 W10 / W30-35	71.9	11.6	6.22
2 W10 / W30-35 (MIN)	36.0	5.7	6.31
A W10 / Wxx-34	71.9	11.2	6.40
B W10 / Wxx-30	71.9	10.0	7.18
C W10 / Wxx-27	35.9	4.5	7.96
D W10 / Wxx-24	35.8	4.1	8.76
E W10 / Wxx-35	71.9	11.6	6.22
F W10 / Wxx-35	71.9	11.6	6.22

SCOP DATA EN 14825:2018	
Source - Water [10°C] / Low Temperature [35°C]	
SCOPon	7.36
SCOPnet	7.36
SCOP	7.35
η [%]	293.84
Label	A+++
Qh [kWh]	148545
Pdesignh [kW]	71.9
Tbivalent [°C]	-10.00

Source - Water [10°C] / Medium Temperature [55°C]

	Operating conditions	Qh	P	COP
1	W10 / W47-55	71.6	19.7	3.63
2	W10 / W47-55 (MIN)	35.8	9.7	3.68
A	W10 / Wxx-52	72.4	17.7	4.09
B	W10 / Wxx-42	72.7	13.2	5.50
C	W10 / Wxx-36	36.4	5.6	6.50
D	W10 / Wxx-30	36.3	4.9	7.40
E	W10 / Wxx-55	71.6	19.7	3.63
F	W10 / Wxx-55	71.6	19.7	3.63

SCOP DATA EN 14825:2018	
Source - Water [10°C] / Medium Temperature [55°C]	
SCOPon	5.37
SCOPnet	5.37
SCOP	5.37
η [%]	214.67
Label	A+++
Qh [kWh]	147926
Pdesignh [kW]	71.6
Tbivalent [°C]	-10.00

Low temperature cooling W 12 / 7°C

	Operating conditions	Qc	P	EER
A	W30-35 / W12-7	43.4	13.1	3.31
B	W26-xx / W12-7	44.4	11.9	3.73
C	W22-xx / W12-7	45.3	10.8	4.19
D	W18-xx / W12-7	45.8	10.3	4.44

SEER DATA EN 14825:2018 [W 12 / 7°C]	
SEERon	4.05
SEER	4.05
Qc [kWh]	25140
η [%]	161.91

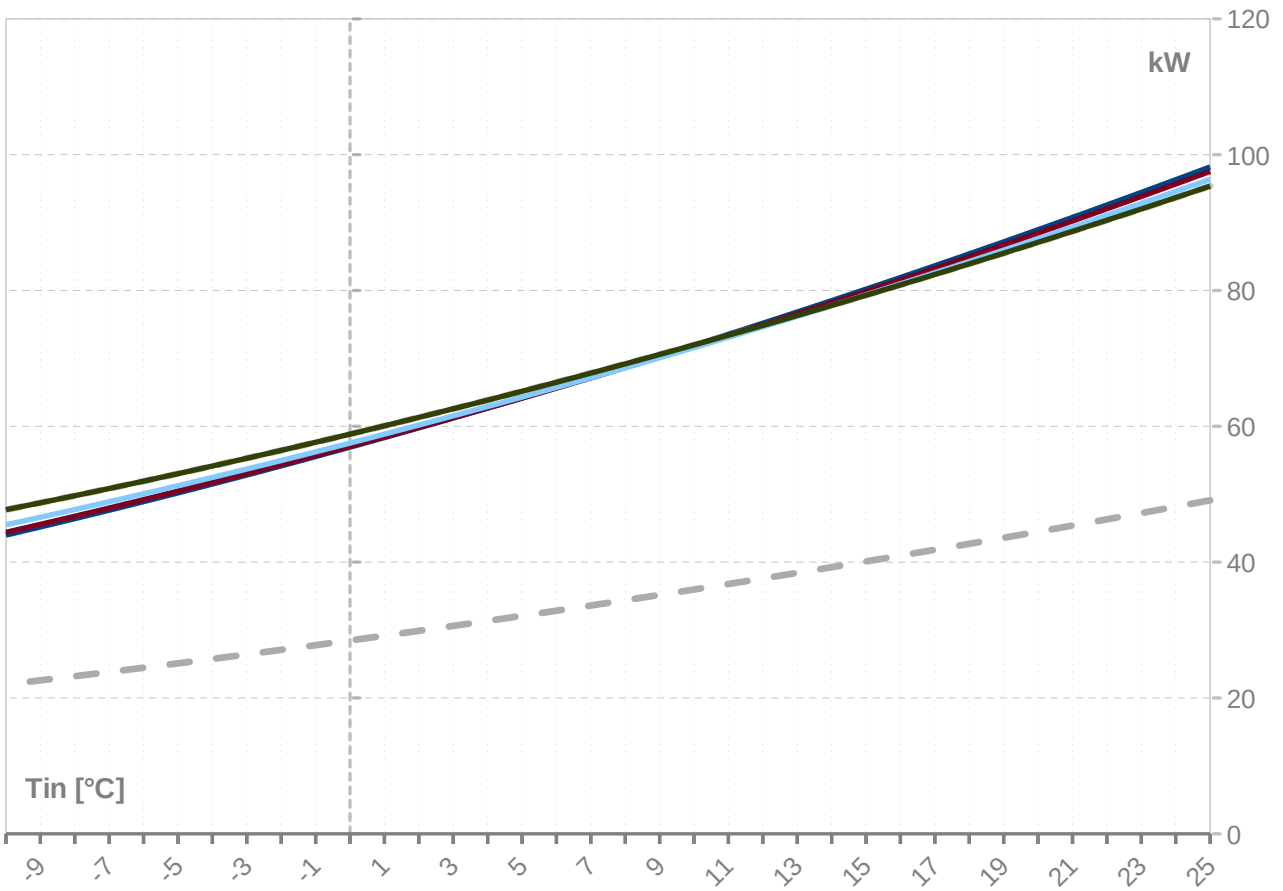
Radiant cooling W 23 / 18°C

	Operating conditions	Qc	P	EER
A	W50-xx / W23-18	50.2	21.6	2.33
B	W40-xx / W23-18	54.8	16.7	3.28
C	W30-35 / W23-18	58.5	13.1	4.47
D	W26-xx / W23-18	59.8	11.9	5.02

SEER DATA EN 14825:2018 [W 23 / 18°C]	
SEERon	5.44
SEER	5.44
Qc [kWh]	25140
η [%]	217.40

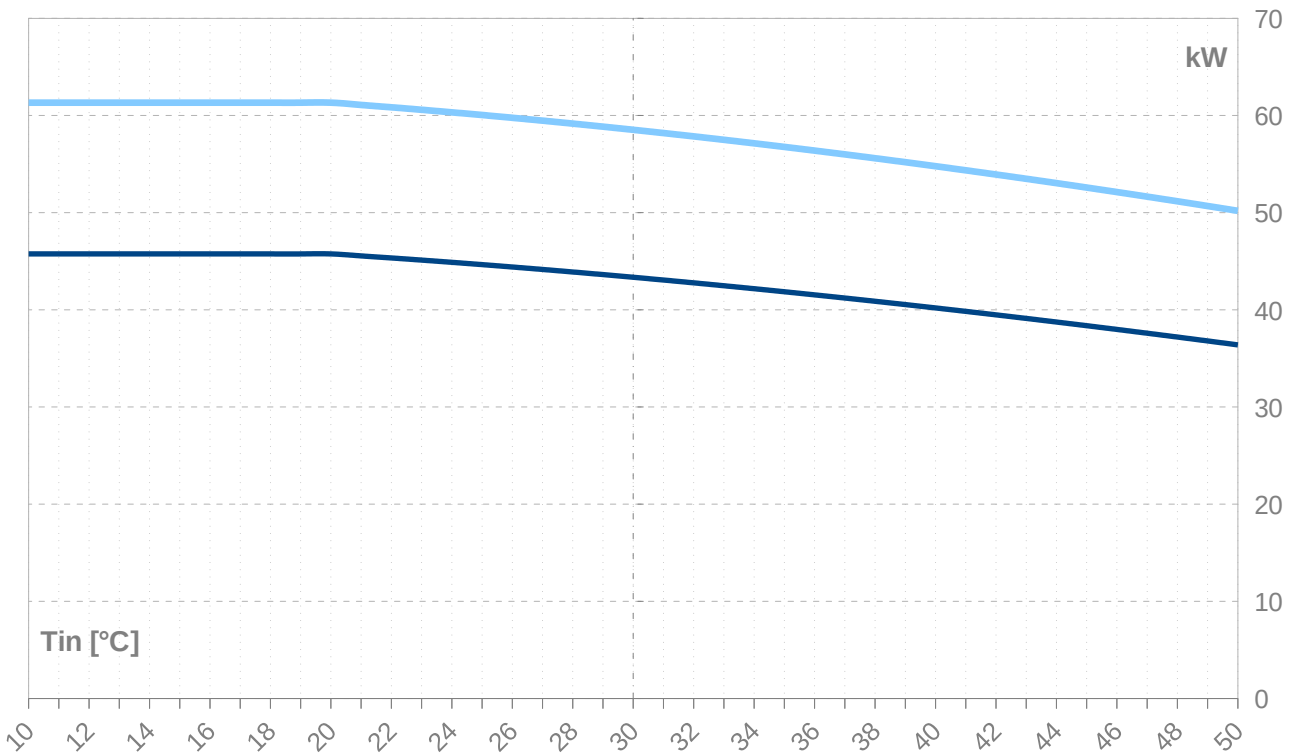
Performance lines - heating

- Qh-nom-35 - - - Qh-min-35 - - - - Qh-max-65 — Qh-nom-45 — Qh-nom-55
- Qh-nom-65



Performance lines - cooling

- Qc-nom-12-7 — Qc-nom-23-18



Th -OU		35										
Ts -IN	Qh nom	Qh min	Qh max	Pin nom	Pin min	Pin max	COP nom	Qc nom	Qc min	Qc max	I nom	
[°C]	[kW]	[kW]	[kW]	[kW]	[kW]	[kW]	kW / kW	[kW]	[kW]	[kW]	[A]	
25	98.2	49.1	98.2	9.4	4.6	9.4	10.50	89.5	44.7	89.5	22.3	
24	96.3	48.2	96.3	9.6	4.7	9.6	10.07	87.4	43.7	87.4	22.5	
23	94.4	47.2	94.4	9.8	4.8	9.8	9.68	85.3	42.7	85.3	22.6	
22	92.6	46.3	92.6	9.9	4.9	9.9	9.31	83.3	41.6	83.3	22.7	
21	90.8	45.4	90.8	10.1	5.0	10.1	8.96	81.3	40.7	81.3	22.9	
20	88.9	44.5	88.9	10.3	5.1	10.3	8.64	79.3	39.7	79.3	23.0	
19	87.2	43.6	87.2	10.5	5.2	10.5	8.33	77.4	38.7	77.4	23.1	
18	85.4	42.7	85.4	10.6	5.2	10.6	8.05	75.5	37.7	75.5	23.2	
17	83.6	41.8	83.6	10.8	5.3	10.8	7.77	73.6	36.8	73.6	23.3	
16	81.9	41.0	81.9	10.9	5.4	10.9	7.52	71.7	35.9	71.7	23.5	
15	80.2	40.1	80.2	11.0	5.4	11.0	7.27	69.9	34.9	69.9	23.6	
14	78.5	39.3	78.5	11.1	5.5	11.1	7.04	68.1	34.0	68.1	23.7	
13	76.8	38.4	76.8	11.3	5.6	11.3	6.82	66.3	33.2	66.3	23.8	
12	75.2	37.6	75.2	11.4	5.6	11.4	6.61	64.6	32.3	64.6	23.8	
11	73.5	36.8	73.5	11.5	5.7	11.5	6.41	62.8	31.4	62.8	23.9	
10	71.9	36.0	71.9	11.6	5.7	11.6	6.22	61.1	30.6	61.1	24.0	
9	70.3	35.2	70.3	11.6	5.7	11.6	6.04	59.5	29.7	59.5	24.1	
8	68.8	34.4	68.8	11.7	5.8	11.7	5.87	57.8	28.9	57.8	24.2	
7	67.2	33.6	67.2	11.8	5.8	11.8	5.70	56.2	28.1	56.2	24.3	
6	65.7	32.8	65.7	11.9	5.9	11.9	5.54	54.6	27.3	54.6	24.3	
5	64.2	32.1	64.2	11.9	5.9	11.9	5.38	53.0	26.5	53.0	24.4	
4	62.7	31.3	62.7	12.0	5.9	12.0	5.23	51.5	25.7	51.5	24.5	
3	61.2	30.6	61.2	12.0	5.9	12.0	5.09	50.0	25.0	50.0	24.5	
2	59.8	29.9	59.8	12.1	6.0	12.1	4.95	48.5	24.2	48.5	24.6	
1	58.3	29.2	58.3	12.1	6.0	12.1	4.81	47.0	23.5	47.0	24.6	
0	56.9	28.5	56.9	12.2	6.0	12.2	4.68	45.6	22.8	45.6	24.7	
-1	55.5	27.8	55.5	12.2	6.0	12.2	4.56	44.2	22.1	44.2	24.7	
-2	54.2	27.1	54.2	12.2	6.0	12.2	4.44	42.8	21.4	42.8	24.7	
-3	52.8	26.4	52.8	12.2	6.0	12.2	4.32	41.4	20.7	41.4	24.8	
-4	51.5	25.7	51.5	12.3	6.0	12.3	4.20	40.1	20.0	40.1	24.8	
-5	50.2	25.1	50.2	12.3	6.1	12.3	4.09	38.7	19.4	38.7	24.8	
-6	48.9	24.5	48.9	12.3	6.1	12.3	3.98	37.4	18.7	37.4	24.9	
-7	47.6	23.8	47.6	12.3	6.1	12.3	3.88	36.2	18.1	36.2	24.9	
-8	46.4	23.2	46.4	12.3	6.1	12.3	3.77	34.9	17.5	34.9	24.9	
-9	45.2	22.6	45.2	12.3	6.1	12.3	3.67	33.7	16.8	33.7	24.9	
-10	44.0	22.0	44.0	12.3	6.1	12.3	3.58	32.5	16.2	32.5	24.9	
-11	42.8	21.4	42.8	12.3	6.1	12.3	3.48	31.3	15.7	31.3	24.9	
-12	41.6	20.8	41.6	12.3	6.1	12.3	3.39	30.2	15.1	30.2	24.9	
-13	40.5	20.2	40.5	12.3	6.1	12.3	3.30	29.0	14.5	29.0	24.9	
-14	39.4	19.7	39.4	12.3	6.1	12.3	3.21	27.9	14.0	27.9	24.9	
-15	38.3	19.1	38.3	12.3	6.1	12.3	3.12	26.8	13.4	26.8	24.9	

-- attention: operating limits not reflected in performance table

ZHI27K1P-TFD_R410A_2_BWW

Th -OU	45										
[°C]	Qh nom [kW]	Qh min [kW]	Qh max [kW]	Pin nom [kW]	Pin min [kW]	Pin max [kW]	COP nom kW / kW	Qc nom [kW]	Qc min [kW]	Qc max [kW]	I nom [A]
25	97.5	48.8	97.5	13.3	6.6	13.3	7.34	85.1	42.6	85.1	26.0
24	95.7	47.8	95.7	13.4	6.6	13.4	7.12	83.1	41.6	83.1	26.1
23	93.8	46.9	93.8	13.6	6.7	13.6	6.90	81.1	40.6	81.1	26.3
22	92.0	46.0	92.0	13.7	6.8	13.7	6.70	79.2	39.6	79.2	26.4
21	90.2	45.1	90.2	13.9	6.8	13.9	6.50	77.3	38.6	77.3	26.6
20	88.5	44.2	88.5	14.0	6.9	14.0	6.31	75.4	37.7	75.4	26.7
19	86.7	43.3	86.7	14.1	7.0	14.1	6.13	73.5	36.7	73.5	26.8
18	85.0	42.5	85.0	14.3	7.0	14.3	5.96	71.6	35.8	71.6	26.9
17	83.2	41.6	83.2	14.4	7.1	14.4	5.80	69.8	34.9	69.8	27.0
16	81.5	40.8	81.5	14.5	7.1	14.5	5.64	68.0	34.0	68.0	27.1
15	79.9	39.9	79.9	14.6	7.2	14.6	5.49	66.3	33.1	66.3	27.3
14	78.2	39.1	78.2	14.6	7.2	14.6	5.34	64.5	32.3	64.5	27.4
13	76.6	38.3	76.6	14.7	7.3	14.7	5.20	62.8	31.4	62.8	27.4
12	74.9	37.5	74.9	14.8	7.3	14.8	5.06	61.1	30.6	61.1	27.5
11	73.3	36.7	73.3	14.9	7.3	14.9	4.93	59.4	29.7	59.4	27.6
10	71.8	35.9	71.8	14.9	7.4	14.9	4.81	57.8	28.9	57.8	27.7
9	70.2	35.1	70.2	15.0	7.4	15.0	4.68	56.2	28.1	56.2	27.8
8	68.7	34.3	68.7	15.0	7.4	15.0	4.56	54.6	27.3	54.6	27.9
7	67.1	33.6	67.1	15.1	7.4	15.1	4.45	53.0	26.5	53.0	27.9
6	65.6	32.8	65.6	15.1	7.5	15.1	4.34	51.5	25.7	51.5	28.0
5	64.1	32.1	64.1	15.2	7.5	15.2	4.23	50.0	25.0	50.0	28.0
4	62.7	31.3	62.7	15.2	7.5	15.2	4.12	48.5	24.2	48.5	28.1
3	61.2	30.6	61.2	15.2	7.5	15.2	4.02	47.0	23.5	47.0	28.2
2	59.8	29.9	59.8	15.3	7.5	15.3	3.92	45.6	22.8	45.6	28.2
1	58.4	29.2	58.4	15.3	7.5	15.3	3.82	44.1	22.1	44.1	28.2
0	57.0	28.5	57.0	15.3	7.5	15.3	3.73	42.8	21.4	42.8	28.3
-1	55.7	27.8	55.7	15.3	7.6	15.3	3.63	41.4	20.7	41.4	28.3
-2	54.3	27.2	54.3	15.3	7.6	15.3	3.54	40.0	20.0	40.0	28.3
-3	53.0	26.5	53.0	15.3	7.6	15.3	3.46	38.7	19.4	38.7	28.4
-4	51.7	25.9	51.7	15.3	7.6	15.3	3.37	37.4	18.7	37.4	28.4
-5	50.5	25.2	50.5	15.4	7.6	15.4	3.29	36.1	18.1	36.1	28.4
-6	49.2	24.6	49.2	15.4	7.6	15.4	3.20	34.9	17.4	34.9	28.4
-7	48.0	24.0	48.0	15.4	7.6	15.4	3.12	33.6	16.8	33.6	28.4
-8	46.7	23.4	46.7	15.4	7.6	15.4	3.05	32.4	16.2	32.4	28.4
-9	45.6	22.8	45.6	15.3	7.6	15.3	2.97	31.2	15.6	31.2	28.4
-10	44.4	22.2	44.4	15.3	7.6	15.3	2.89	30.1	15.0	30.1	28.4
-11	43.2	21.6	43.2	15.3	7.6	15.3	2.82	28.9	14.5	28.9	28.4
-12	42.1	21.1	42.1	15.3	7.6	15.3	2.75	27.8	13.9	27.8	28.4
-13	41.0	20.5	41.0	15.3	7.6	15.3	2.68	26.7	13.3	26.7	28.4
-14	39.9	20.0	39.9	15.3	7.6	15.3	2.61	25.6	12.8	25.6	28.4
-15	38.8	19.4	38.8	15.3	7.5	15.3	2.54	24.6	12.3	24.6	28.3

-- attention: operating limits not reflected in performance table

Th -OU		55										
Ts -IN	Qh nom	Qh min	Qh max	Pin nom	Pin min	Pin max	COP nom	Qc nom	Qc min	Qc max	I nom	
[°C]	[kW]	[kW]	[kW]	[kW]	[kW]	[kW]	kW / kW	[kW]	[kW]	[kW]	[A]	
25	96.4	48.2	96.4	18.5	9.1	18.5	5.21	79.1	39.5	79.1	31.9	
24	94.6	47.3	94.6	18.6	9.2	18.6	5.08	77.2	38.6	77.2	32.1	
23	92.8	46.4	92.8	18.7	9.2	18.7	4.95	75.3	37.7	75.3	32.2	
22	91.1	45.5	91.1	18.9	9.3	18.9	4.83	73.5	36.7	73.5	32.4	
21	89.3	44.7	89.3	19.0	9.4	19.0	4.71	71.6	35.8	71.6	32.5	
20	87.6	43.8	87.6	19.1	9.4	19.1	4.60	69.8	34.9	69.8	32.6	
19	85.9	43.0	85.9	19.1	9.4	19.1	4.49	68.1	34.0	68.1	32.7	
18	84.3	42.1	84.3	19.2	9.5	19.2	4.38	66.3	33.2	66.3	32.9	
17	82.6	41.3	82.6	19.3	9.5	19.3	4.28	64.6	32.3	64.6	33.0	
16	81.0	40.5	81.0	19.4	9.6	19.4	4.18	62.9	31.4	62.9	33.1	
15	79.4	39.7	79.4	19.5	9.6	19.5	4.08	61.2	30.6	61.2	33.2	
14	77.8	38.9	77.8	19.5	9.6	19.5	3.99	59.5	29.8	59.5	33.3	
13	76.2	38.1	76.2	19.6	9.7	19.6	3.89	57.9	29.0	57.9	33.4	
12	74.6	37.3	74.6	19.6	9.7	19.6	3.80	56.3	28.2	56.3	33.4	
11	73.1	36.6	73.1	19.7	9.7	19.7	3.72	54.7	27.4	54.7	33.5	
10	71.6	35.8	71.6	19.7	9.7	19.7	3.63	53.2	26.6	53.2	33.6	
9	70.1	35.0	70.1	19.8	9.7	19.8	3.55	51.6	25.8	51.6	33.7	
8	68.6	34.3	68.6	19.8	9.8	19.8	3.47	50.1	25.1	50.1	33.7	
7	67.2	33.6	67.2	19.8	9.8	19.8	3.39	48.7	24.3	48.7	33.8	
6	65.7	32.9	65.7	19.8	9.8	19.8	3.31	47.2	23.6	47.2	33.8	
5	64.3	32.2	64.3	19.9	9.8	19.9	3.24	45.8	22.9	45.8	33.9	
4	62.9	31.5	62.9	19.9	9.8	19.9	3.16	44.3	22.2	44.3	33.9	
3	61.5	30.8	61.5	19.9	9.8	19.9	3.09	42.9	21.5	42.9	34.0	
2	60.2	30.1	60.2	19.9	9.8	19.9	3.02	41.6	20.8	41.6	34.0	
1	58.8	29.4	58.8	19.9	9.8	19.9	2.95	40.2	20.1	40.2	34.0	
0	57.5	28.8	57.5	19.9	9.8	19.9	2.88	38.9	19.4	38.9	34.0	
-1	56.2	28.1	56.2	20.0	9.8	20.0	2.82	37.6	18.8	37.6	34.1	
-2	55.0	27.5	55.0	20.0	9.8	20.0	2.75	36.3	18.2	36.3	34.1	
-3	53.7	26.9	53.7	20.0	9.8	20.0	2.69	35.1	17.5	35.1	34.1	
-4	52.5	26.2	52.5	20.0	9.8	20.0	2.63	33.8	16.9	33.8	34.1	
-5	51.3	25.6	51.3	20.0	9.9	20.0	2.57	32.6	16.3	32.6	34.1	
-6	50.1	25.0	50.1	20.0	9.9	20.0	2.51	31.4	15.7	31.4	34.1	
-7	48.9	24.4	48.9	20.0	9.9	20.0	2.45	30.2	15.1	30.2	34.1	
-8	47.7	23.9	47.7	20.0	9.9	20.0	2.39	29.1	14.5	29.1	34.1	
-9	46.6	23.3	46.6	20.0	9.9	20.0	2.33	28.0	14.0	28.0	34.0	
-10	45.5	22.7	45.5	20.0	9.9	20.0	2.28	26.8	13.4	26.8	34.0	
-11	44.4	22.2	44.4	20.0	9.9	20.0	2.22	25.8	12.9	25.8	34.0	
-12	43.3	21.7	43.3	20.0	9.9	20.0	2.17	24.7	12.3	24.7	33.9	
-13	42.3	21.1	42.3	20.0	9.9	20.0	2.12	23.6	11.8	23.6	33.9	
-14	41.3	20.6	41.3	20.0	9.9	20.0	2.07	22.6	11.3	22.6	33.9	
-15	40.3	20.1	40.3	20.0	9.9	20.0	2.02	21.6	10.8	21.6	33.8	

-- attention: operating limits not reflected in performance table

Th -OU	[°C]	65 (T-max)									
		Ts -IN [°C]	Qh nom [kW]	Qh min [kW]	Qh max [kW]	Pin nom [kW]	Pin min [kW]	Pin max [kW]	COP nom kW / kW	Qc nom [kW]	Qc min [kW]
25	95.4	47.7	95.4	24.8	12.2	24.8	3.85	72.2	36.1	72.2	39.8
24	93.7	46.8	93.7	24.9	12.3	24.9	3.77	70.4	35.2	70.4	39.9
23	92.0	46.0	92.0	25.0	12.3	25.0	3.68	68.7	34.3	68.7	40.1
22	90.3	45.2	90.3	25.1	12.4	25.1	3.61	66.9	33.5	66.9	40.2
21	88.7	44.4	88.7	25.1	12.4	25.1	3.53	65.2	32.6	65.2	40.3
20	87.1	43.5	87.1	25.2	12.4	25.2	3.45	63.5	31.8	63.5	40.5
19	85.5	42.7	85.5	25.3	12.5	25.3	3.38	61.9	30.9	61.9	40.6
18	83.9	42.0	83.9	25.3	12.5	25.3	3.31	60.2	30.1	60.2	40.7
17	82.4	41.2	82.4	25.4	12.5	25.4	3.24	58.6	29.3	58.6	40.8
16	80.8	40.4	80.8	25.5	12.6	25.5	3.17	57.0	28.5	57.0	40.9
15	79.3	39.6	79.3	25.5	12.6	25.5	3.11	55.5	27.7	55.5	41.0
14	77.8	38.9	77.8	25.6	12.6	25.6	3.04	53.9	27.0	53.9	41.1
13	76.3	38.2	76.3	25.6	12.6	25.6	2.98	52.4	26.2	52.4	41.1
12	74.8	37.4	74.8	25.6	12.7	25.6	2.92	50.9	25.4	50.9	41.2
11	73.4	36.7	73.4	25.7	12.7	25.7	2.86	49.4	24.7	49.4	41.3
10	72.0	36.0	72.0	25.7	12.7	25.7	2.80	48.0	24.0	48.0	41.3
9	70.6	35.3	70.6	25.8	12.7	25.8	2.74	46.5	23.3	46.5	41.4
8	69.2	34.6	69.2	25.8	12.7	25.8	2.68	45.1	22.6	45.1	41.4
7	67.8	33.9	67.8	25.8	12.7	25.8	2.63	43.7	21.9	43.7	41.5
6	66.5	33.2	66.5	25.8	12.7	25.8	2.57	42.4	21.2	42.4	41.5
5	65.2	32.6	65.2	25.9	12.7	25.9	2.52	41.0	20.5	41.0	41.6
4	63.9	31.9	63.9	25.9	12.8	25.9	2.47	39.7	19.8	39.7	41.6
3	62.6	31.3	62.6	25.9	12.8	25.9	2.42	38.4	19.2	38.4	41.6
2	61.3	30.7	61.3	25.9	12.8	25.9	2.37	37.1	18.6	37.1	41.6
1	60.1	30.0	60.1	25.9	12.8	25.9	2.32	35.9	17.9	35.9	41.6
0	58.8	29.4	58.8	25.9	12.8	25.9	2.27	34.6	17.3	34.6	41.6
-1	57.6	28.8	57.6	25.9	12.8	25.9	2.22	33.4	16.7	33.4	41.6
-2	56.4	28.2	56.4	26.0	12.8	26.0	2.17	32.2	16.1	32.2	41.6
-3	55.3	27.6	55.3	26.0	12.8	26.0	2.13	31.0	15.5	31.0	41.6
-4	54.1	27.1	54.1	26.0	12.8	26.0	2.08	29.9	14.9	29.9	41.6
-5	53.0	26.5	53.0	26.0	12.8	26.0	2.04	28.7	14.4	28.7	41.6
-6	51.9	26.0	51.9	26.0	12.8	26.0	2.00	27.6	13.8	27.6	41.5
-7	50.8	25.4	50.8	26.0	12.8	26.0	1.95	26.5	13.3	26.5	41.5
-8	49.8	24.9	49.8	26.0	12.8	26.0	1.91	25.5	12.7	25.5	41.5
-9	48.7	24.4	48.7	26.0	12.8	26.0	1.87	24.4	12.2	24.4	41.4
-10	47.7	23.9	47.7	26.1	12.9	26.1	1.83	23.4	11.7	23.4	41.4
-11	46.7	23.4	46.7	26.1	12.9	26.1	1.79	22.4	11.2	22.4	41.3
-12	45.7	22.9	45.7	26.1	12.9	26.1	1.75	21.4	10.7	21.4	41.3
-13	44.8	22.4	44.8	26.1	12.9	26.1	1.71	20.4	10.2	20.4	41.2
-14	43.8	21.9	43.8	26.1	12.9	26.1	1.68	19.4	9.7	19.4	41.1
-15	42.9	21.5	42.9	26.2	12.9	26.2	1.64	18.5	9.2	18.5	41.1

-- attention: operating limits not reflected in performance table

WAMAK TWW 68 EVI

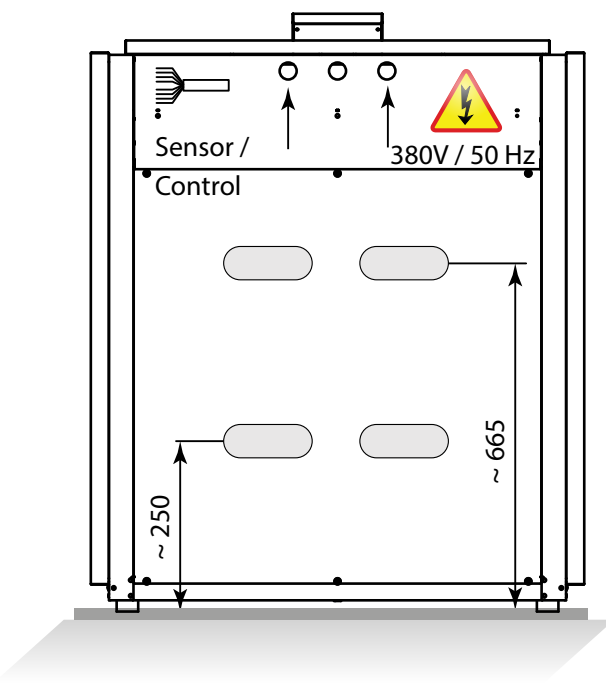
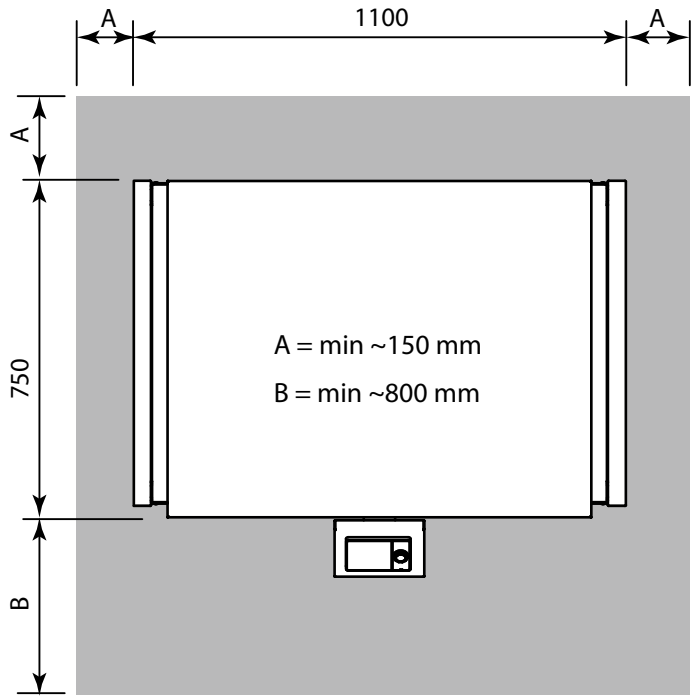
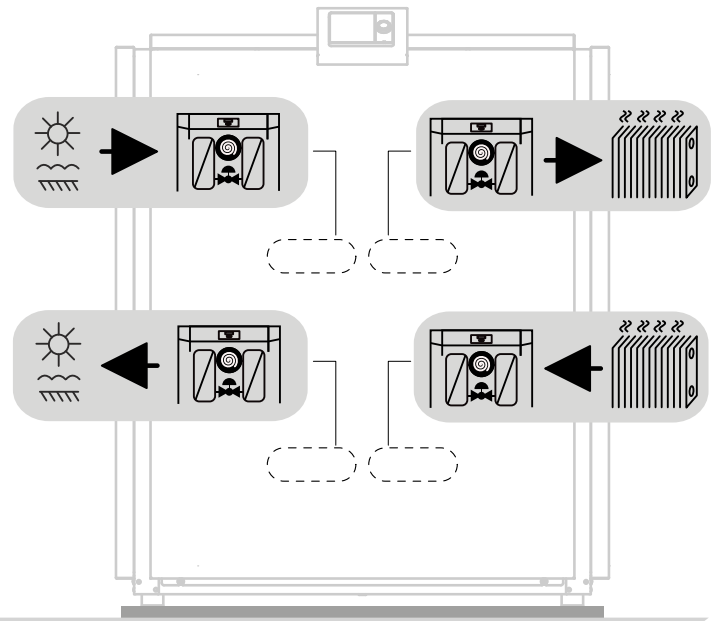
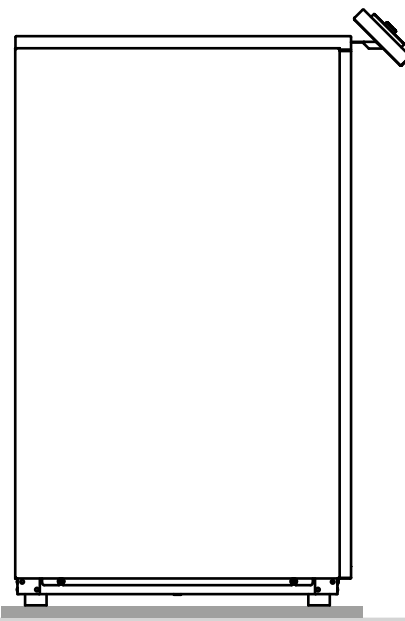
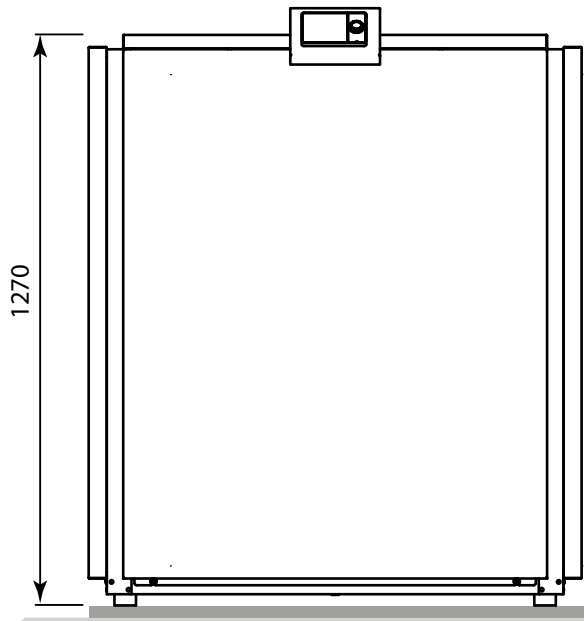
Tc -OU		W 12 / 7 °C										
Ts -IN	Qc nom	Qc min	Qc max	Pin nom	Pin min	Pin max	EER	Qh nom	Qh min	Qh max	I nom	
[°C]	[kW]	[kW]	[kW]	[kW]	[kW]	[kW]	kW / kW	[kW]	[kW]	[kW]	[A]	
40	40.2	20.1	40.2	16.7	8.2	16.7	2.41	55.8	27.9	55.8	30.0	
39	40.5	20.3	40.5	16.3	8.0	16.3	2.49	55.8	27.9	55.8	29.5	
38	40.9	20.4	40.9	15.9	7.8	15.9	2.57	55.7	27.9	55.7	29.0	
37	41.2	20.6	41.2	15.5	7.6	15.5	2.66	55.7	27.8	55.7	28.5	
36	41.5	20.8	41.5	15.1	7.5	15.1	2.75	55.7	27.8	55.7	28.1	
35	41.9	20.9	41.9	14.8	7.3	14.8	2.83	55.7	27.8	55.7	27.6	
34	42.2	21.1	42.2	14.4	7.1	14.4	2.93	55.6	27.8	55.6	27.2	
33	42.5	21.2	42.5	14.1	6.9	14.1	3.02	55.6	27.8	55.6	26.8	
32	42.8	21.4	42.8	13.7	6.8	13.7	3.11	55.6	27.8	55.6	26.4	
31	43.1	21.5	43.1	13.4	6.6	13.4	3.21	55.6	27.8	55.6	26.1	
30	43.4	21.7	43.4	13.1	6.5	13.1	3.31	55.6	27.8	55.6	25.7	
29	43.6	21.8	43.6	12.8	6.3	12.8	3.41	55.6	27.8	55.6	25.4	
28	43.9	21.9	43.9	12.5	6.2	12.5	3.52	55.5	27.8	55.5	25.0	
27	44.2	22.1	44.2	12.2	6.0	12.2	3.62	55.5	27.8	55.5	24.7	
26	44.4	22.2	44.4	11.9	5.9	11.9	3.73	55.5	27.8	55.5	24.4	
25	44.7	22.3	44.7	11.6	5.7	11.6	3.84	55.5	27.8	55.5	24.1	
24	44.9	22.4	44.9	11.3	5.6	11.3	3.96	55.5	27.7	55.5	23.8	
23	45.1	22.6	45.1	11.1	5.5	11.1	4.07	55.5	27.7	55.5	23.6	
22	45.3	22.7	45.3	10.8	5.3	10.8	4.19	55.4	27.7	55.4	23.3	
21	45.6	22.8	45.6	10.6	5.2	10.6	4.32	55.4	27.7	55.4	23.1	
20	45.8	22.9	45.8	10.3	5.1	10.3	4.44	55.4	27.7	55.4	22.8	

Tc [°C]		W 23 / 18 °C										
0	Qc nom	Qc min	Qc max	Pin nom	Pin min	Pin max	EER	Qh nom	Qh min	Qh max	I nom	
[°C]	[kW]	[kW]	[kW]	[kW]	[kW]	[kW]	kW / kW	[kW]	[kW]	[kW]	[A]	
40	54.8	27.4	54.8	16.7	8.2	16.7	3.28	70.1	35.1	70.2	29.5	
39	55.2	27.6	55.2	16.3	8.0	16.3	3.39	70.1	35.1	70.1	29.0	
38	55.6	27.8	55.6	15.9	7.8	15.9	3.50	70.2	35.1	70.1	28.5	
37	56.0	28.0	56.0	15.5	7.6	15.5	3.61	70.2	35.1	70.1	28.0	
36	56.4	28.2	56.4	15.1	7.5	15.1	3.73	70.2	35.1	70.1	27.6	
35	56.8	28.4	56.8	14.8	7.3	14.8	3.84	70.2	35.1	70.1	27.1	
34	57.1	28.6	57.1	14.4	7.1	14.4	3.96	70.2	35.1	70.1	26.7	
33	57.5	28.7	57.5	14.1	6.9	14.1	4.09	70.3	35.1	70.1	26.3	
32	57.8	28.9	57.8	13.7	6.8	13.7	4.21	70.3	35.1	70.1	25.9	
31	58.2	29.1	58.2	13.4	6.6	13.4	4.34	70.3	35.2	70.1	25.5	
30	58.5	29.3	58.5	13.1	6.5	13.1	4.47	70.3	35.2	70.1	25.1	
29	58.8	29.4	58.8	12.8	6.3	12.8	4.60	70.3	35.2	70.1	24.8	
28	59.2	29.6	59.2	12.5	6.2	12.5	4.74	70.3	35.2	70.2	24.4	
27	59.5	29.7	59.5	12.2	6.0	12.2	4.88	70.3	35.2	70.2	24.1	
26	59.8	29.9	59.8	11.9	5.9	11.9	5.02	70.3	35.2	70.2	23.8	
25	60.0	30.0	60.0	11.6	5.7	11.6	5.17	70.3	35.2	70.2	23.5	
24	60.3	30.2	60.3	11.3	5.6	11.3	5.32	70.3	35.2	70.2	23.2	
23	60.6	30.3	60.6	11.1	5.5	11.1	5.47	70.3	35.2	70.3	22.9	
22	60.8	30.4	60.8	10.8	5.3	10.8	5.63	70.3	35.1	70.3	22.7	
21	61.1	30.5	61.1	10.6	5.2	10.6	5.79	70.3	35.1	70.3	22.4	
20	61.3	30.7	61.3	10.3	5.1	10.3	5.95	70.2	35.1	70.3	22.2	

-- attention: operating limits not reflected in performance table

LEGEND:

Ts-IN: Temperature renewable source - inlet [°C]
Th-OU: Temperature heating - outlet (flow) [°C]
Tc-OU: Temperature cooling - outlet (flow) [°C]
Qh nom: Heating capacity nominal
Qh min: Heating capacity minimal
Qh max: Heating capacity maximal
Pin nom: Power input at nominal heating capacity
Pin min: Power input at minimal heating capacity
Pin max: Power input at maximal heating capacity
COP nom: coefficient of performance at nominal heating capacity
Qc nom: cooling / heat extraction capacity at nominal heating capacity
Qc min: cooling / heat extraction at minimal heating capacity
Qc max: cooling / heat extraction at maximal heating capacity
I nom: Current at nominal heating capacity
EER: energy efficiency ratio at nominal cooling capacity



int. code: VN1100

